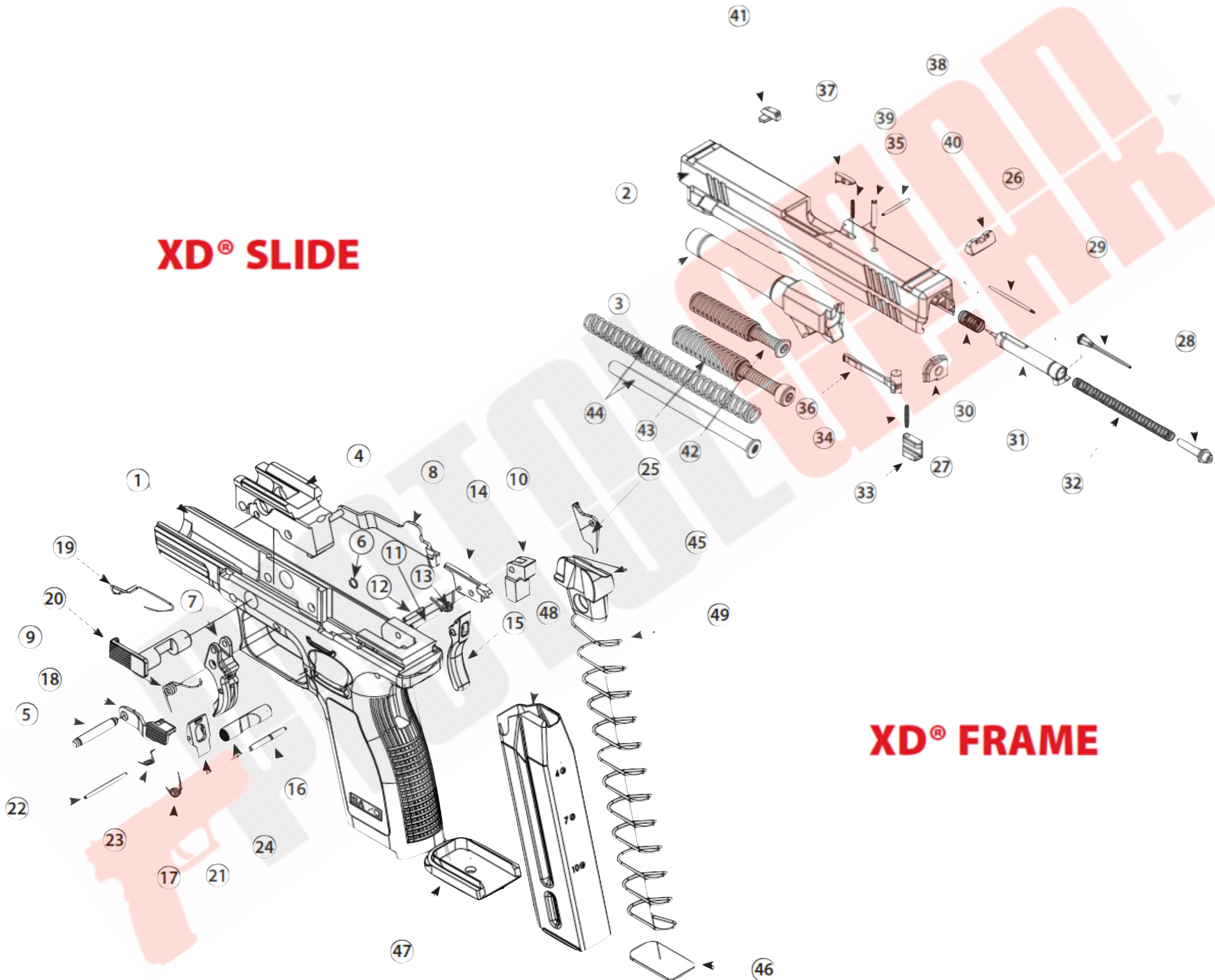


# **XD & XD(m) Schematics**

**Note: The information contained within this document is for information purposes only and the details of this document were extracted from the XD and XD(m) Operation and Safety Manuals available via Springfield-Armory's website.**

XD and XD(m) are registered trademarks of Springfield Armory, Inc.

# XD® SLIDE



# XD® FRAME

# **XD<sup>®</sup> SLIDE PARTS LIST** 9MM/40SW/357SIG/45GAP/45ACP

- |    |                              |    |   |
|----|------------------------------|----|---|
| 2  | Slide                        | 34 | Striker Safety Spring   |
| 3  | Barrel                       | 35 | Striker Retainer Pin  |
| 26 | Striker Safety Retaining Pin | 36 | Extractor   |
| 27 | Striker Locking Plate        | 37 | Loaded Chamber Indicator  |
| 28 | Striker Spring Guide         | 38 | Loaded Chamber Indicator Pin  |
| 29 | Striker Status Indicator     | 39 | Loaded Chamber Indicator Spring   |
| 30 | Striker Dampening Spring     | 40 | Rear Sight  |
| 31 | Striker                      | 41 | Front Sight   |
| 32 | Striker Spring               | 42 | Recoil Spring Assembly (Captive Style On Sub-Compact Models)                |
| 33 | Striker Safety               | 43 | Recoil Spring Assembly (Captive Style On Service Models)                    |
|    |                              | 44 | Recoil Spring And Guide Rod Assembly (Non-Captive Style On Tactical Models) |

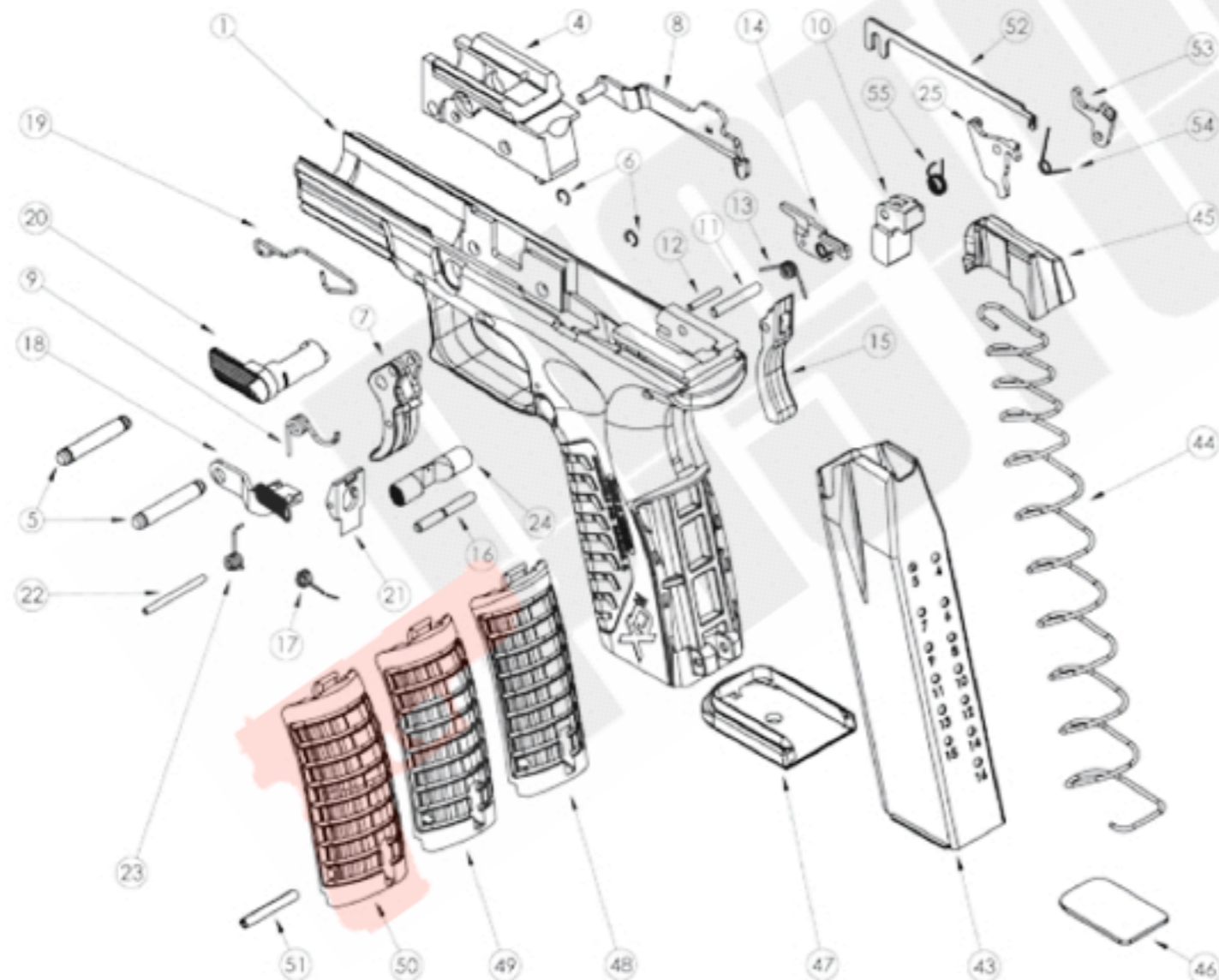
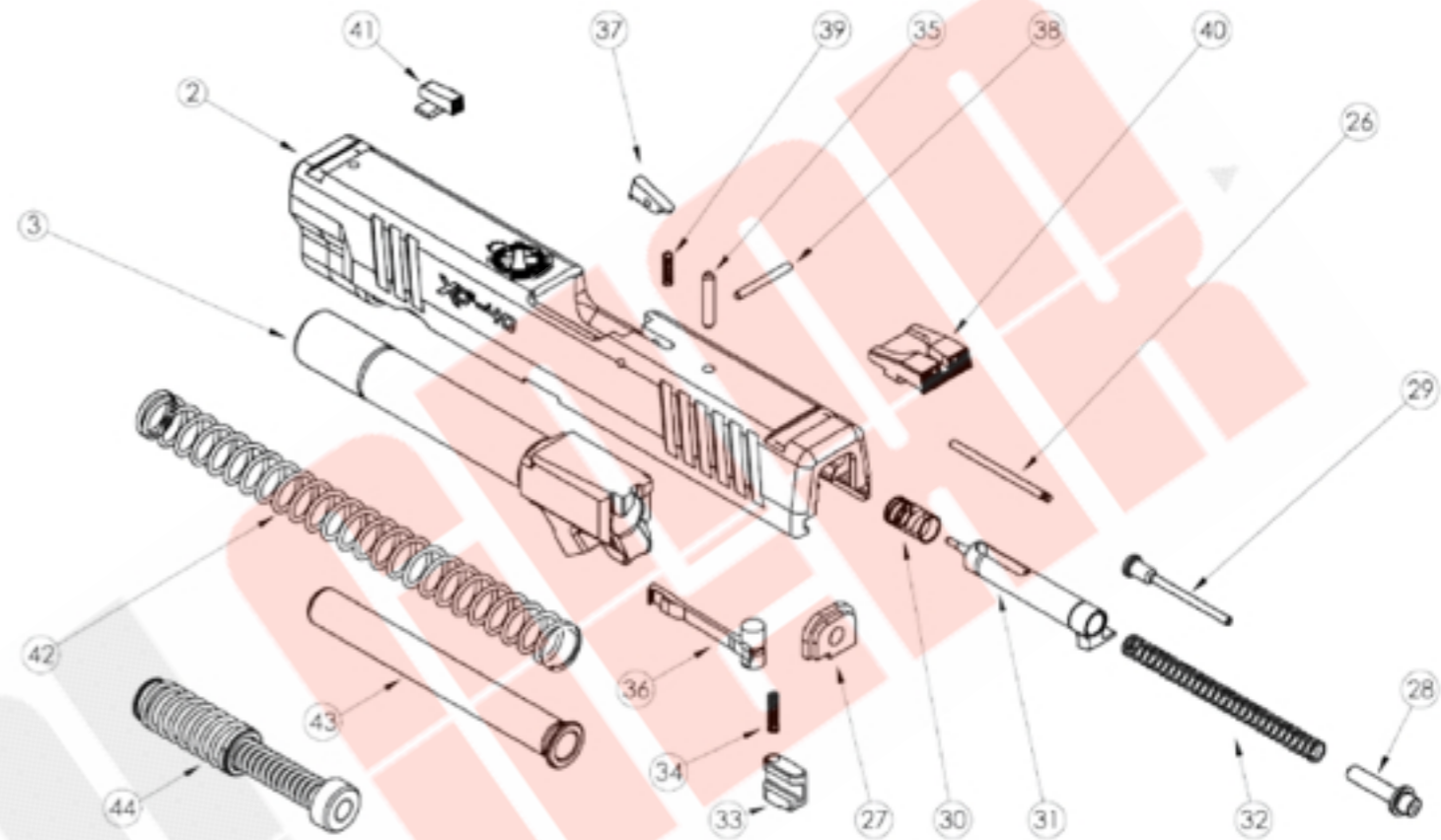


# **XD® FRAME PARTS LIST 9MM/40SW/357SIG/45GAP/45ACP**

- 1 Receiver
- 4 Locking Block
- 5 Locking Block Pin/Trigger pin-2
- 6 Locking Block Pin/Trigger Pin Retainer-2
- 7 Trigger with Safety
- 8 Trigger Bar
- 9 Trigger Bar Spring
- 10 Sear
- 11 Sear Pin
- 12 Ejector Pin
- 13 Sear Spring
- 14 Ejector
- 15 Grip Safety
- 16 Grip Safety Pin
- 17 Grip Safety Spring
- 18 Slide Stop Lever
- 19 Slide Stop Lever Spring
- 20 Disassembly Lever
- 21 Magazine Catch
- 22 Magazine Catch Pin
- 23 Magazine Catch Spring
- 24 Magazine Release Button
- 25 Striker Safety Lever
- 45 Magazine Follower
- 46 Magazine Locking Plate
- 47 Magazine Base
- 48 Magazine Body
- 49 Magazine Spring



# XD<sup>M</sup> SLIDE



# XD<sup>M</sup> FRAME

# **SLIDE PARTS LIST (9MM/40S&W/45ACP)**

- |    |                          |    |  |
|----|--------------------------|----|--|
| 2  | Slide                    | 35 | Striker Retainer Pin                                 |
| 3  | Barrel                   | 36 | Extractor  |
| 26 | Striker Safety Pin       | 37 | Loaded Chamber Indicator                             |
| 27 | Striker Locking Plate    | 38 | Loaded Chamber Indicator Pin                         |
| 28 | Striker Spring Guide     | 39 | Loaded Chamber Indicator Spring                      |
| 29 | Striker Status Indicator | 40 | Rear Sight   |
| 30 | Striker Dampening Spring | 41 | Front Sight  |
| 31 | Striker                  | 42 | Recoil Spring  |
| 32 | Striker Spring           | 43 | Recoil Spring Guide Rod                              |
| 33 | Striker Safety           | 44 | Recoil Spring Assembly (Captive Style On 3.8" Model) |
| 34 | Striker Safety Spring    |    |  |



# **XD<sup>M</sup> FRAME PARTS LIST (9MM/40S&W/45ACP)**

- 1 Receiver
- 4 Locking Block
- 5 Locking Block Pin/Trigger pin-2
- 6 Locking Block Pin/Trigger Pin Retainer-2
- 7 Trigger with Safety
- 8 Trigger Bar
- 9 Trigger Bar Spring
- 10 Sear
- 11 Sear Pin
- 12 Ejector Pin
- 13 Sear Spring
- 14 Ejector
- 15 Grip Safety
- 16 Grip Safety Pin
- 17 Grip Safety Spring
- 18 Slide Stop Lever
- 19 Slide Stop Lever Spring
- 20 Disassembly Lever
- 21 Magazine Catch
- 22 Magazine Catch Pin
- 23 Magazine Catch Spring
- 24 Magazine Release Button
- 25 Striker Safety Lever
- 43 Magazine Body
- 44 Magazine Spring
- 45 Magazine Follower
- 46 Magazine Locking Plate
- 47 Magazine Base
- 48 Backstrap - 1
- 49 Backstrap - 2
- 50 Backstrap - 3
- 51 Backstrap/Lanyard Loop Roll Pin
- 52 Disassembly Bar
- 53 Disassembler
- 54 Disassembly Lever Spring
- 55 Striker Safety Lever Spring